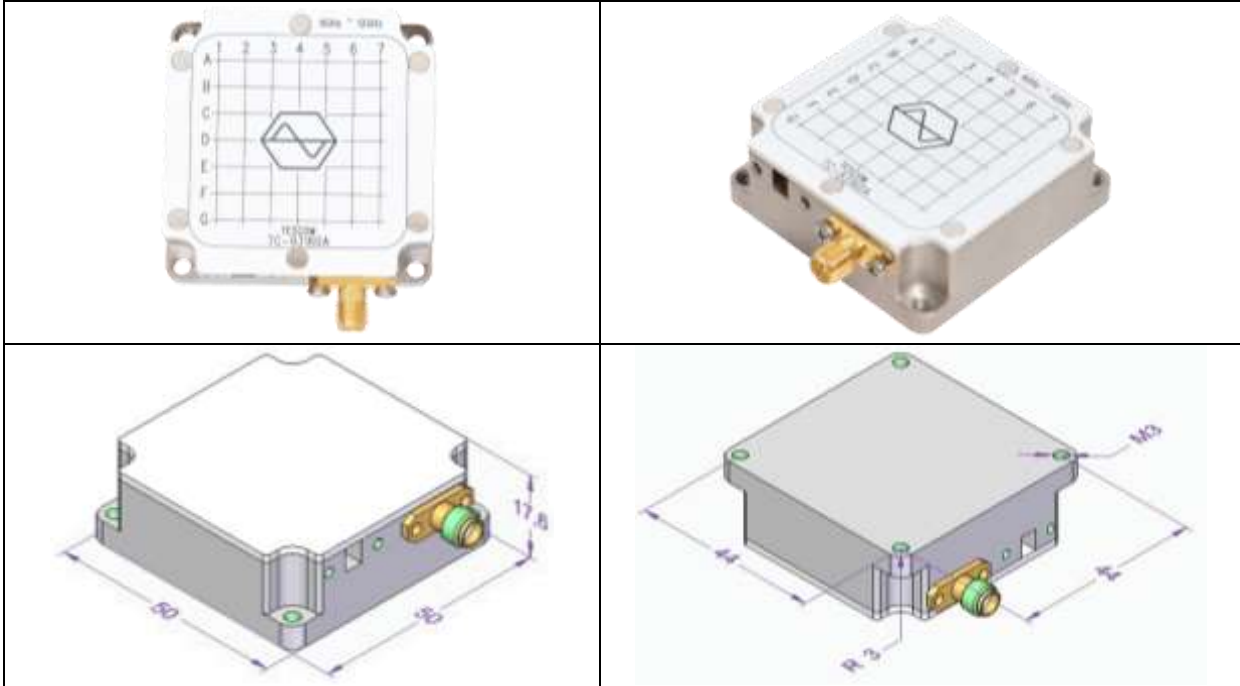




Concentric Technology Solutions Inc

Solutions for the Wireless Industry

TC-93160A Flat Type Antenna Coupler

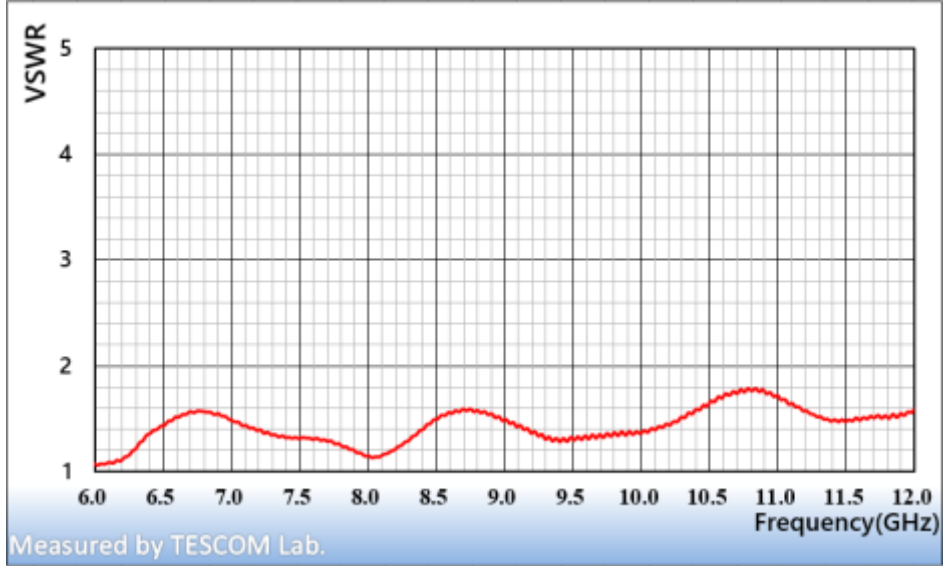


Specifications

Frequency Range	6.0 GHz ~ 12.0 GHz
RF Connector	SMA(f)
Dimension	50(W) x 50(D) x 17.6(H) mm
Terminal	50 ohm
VSWR	< 2.2 @ 6.0 GHz ~ 12.0 GHz



VSWR Data



Graph1. TC-93160A VSWR

Ordering Information

Order Number	Description
TC-93160A	Flat Type Antenna Coupler RF cables are sold Separately

SPECIFICATIONS SUBJECT TO CHANGE WITHOUT PRIOR NOTICE