



AR2132-16



Key Features

- Front and Rear Access Openings
- 4 Configurable IO panels
- Cross flow vents with fan mounts
- Mounting points for Fixture and Optional Shelving
- 19in Rack Mountable
- High RF Shielding

Mechanical Specifications

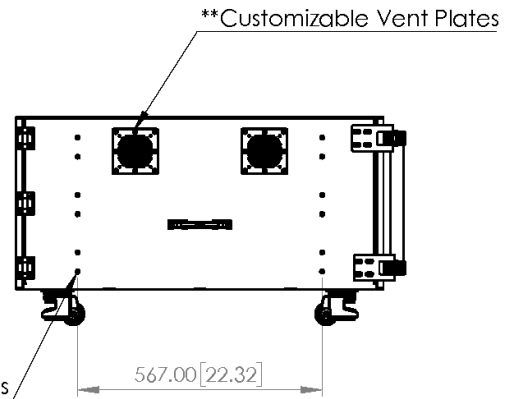
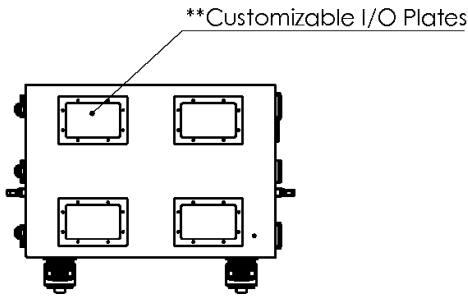
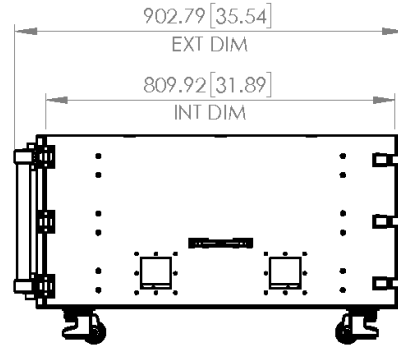
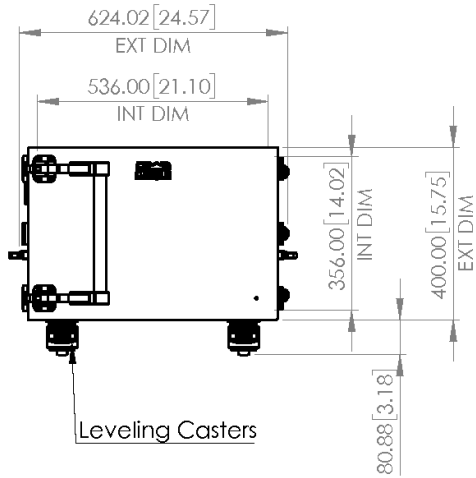
Dimensions	Width	Depth	Height
Internal Dimensions	536.00mm(21.10in)	809.92mm(31.89in)	356.00mm(14.02in)
External Dimensions	624.02mm(24.57in)	902.79mm(35.54in)	400.00mm(15.75in)
Weight	Approx 80lbs		

Typical RF Shielding

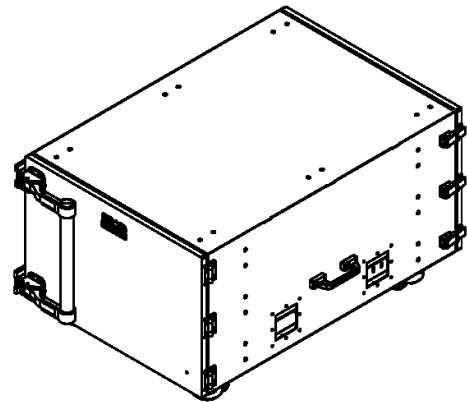
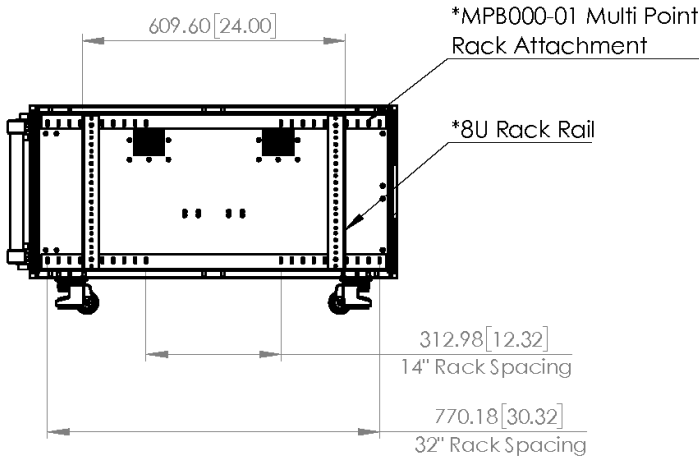
Range	Isolation	*Isolation rates listed are with Typical I/Os installed
100 to 2000 MHz	> 70 dB	
2000 to 3000 MHz	> 70 dB	
3000 to 6000 MHz	> 70 dB	

Ordering Information

Part Number	Item
F180000-00	80mm 36CFM Fan, with 120VAC to DC Adapter
MPB0000-00	8U Rack Rail
MPB0000-01	Multi Point Rack Rail Mount



Additional Rack Rail Mounting Points for 24" Spaced Rails



* Internal Rack available separately
 **See list of available options
 Shelves, Fixture Mounting, Fans, as well as custom connectors are available through your sales representative
 mm(in) unless otherwise specified
 Drawing not to scale
 10/27/2021

AR2132-16