



# AR1623-45



## Key Features

- Front and Rear Access Openings
- 4 Configurable IO panels
- Cross flow vents with fan mounts
- Mounting points for Fixture and Optional Shelving
- 19in Rack Mountable
- High RF Shielding

## Mechanical Specifications

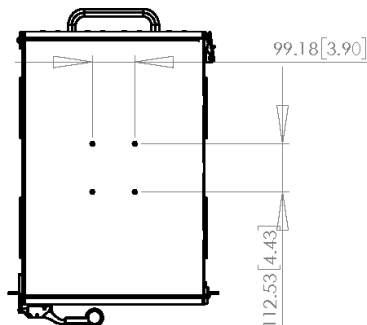
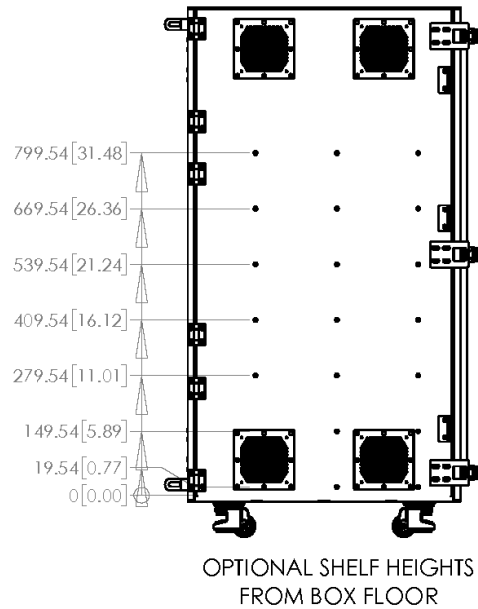
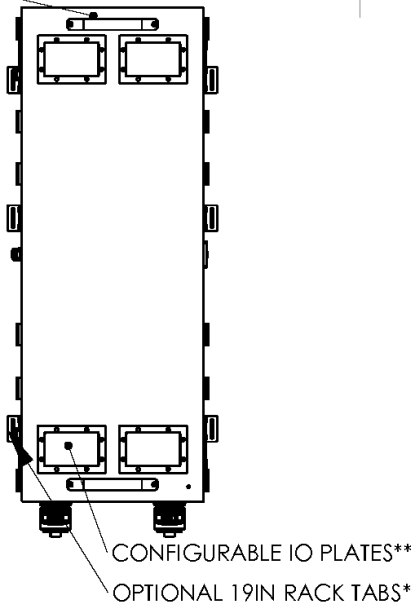
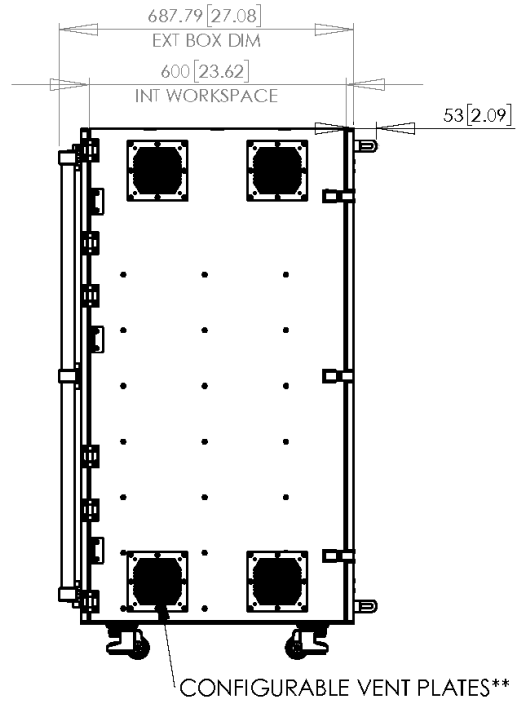
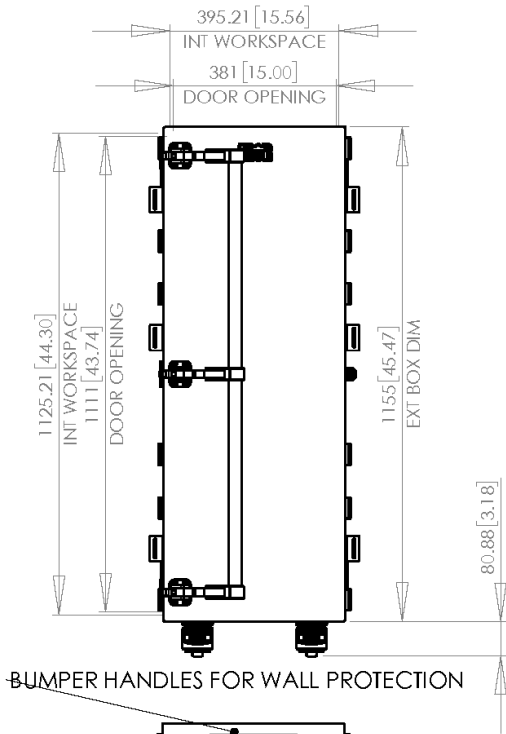
Dimensions	Width	Depth	Height
Internal Dimensions	395.21mm(15.56in)	600.00mm(23.62in)	1125.21(44.30in)
External Dimensions	460.46mm(18.13in)	687.79mm(27.08in)	1155.00(45.47in)
Weight	Approx 120 lbs		

## Typical RF Shielding

Range	Isolation
100 to 2000 MHz	> 70 dB
2000 to 3000 MHz	> 70 dB
3000 to 6000 MHz	> 70 dB

## Ordering Information

Part Number	Item
F180000-00	80mm 36CFM Fan, with 120VAC to DC Adapter
MPBA0000-00	Nonconductive Shelves and Rail Set(Includes 2 L/R Rails and 2 Shelves)
MHB0000-00A	Rack Mount Tabs



\* Rack shelf is recommended for mounting

\*\* See list of available options

Shelves, Fixture Mounting Fans, as well as custom connectors and options are available through your sales representative

mm(in) unless otherwise specified  
Drawing not to scale  
docv1.0