



AR1314-09



Key Features

- Front and Rear Access Openings
- Configurable IO panels
- Cross flow vents with fan mounts
- Mounting points for Fixture and Optional Shelving
- 19in Rack Mountable
- High RF Shielding

Mechanical Specifications

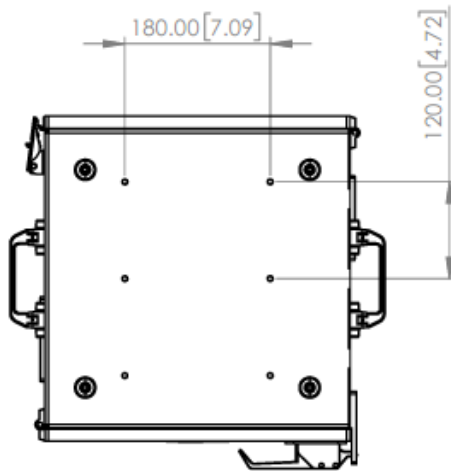
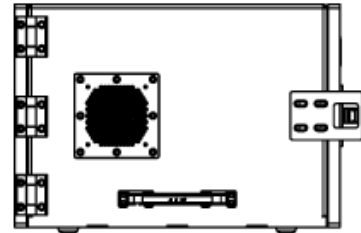
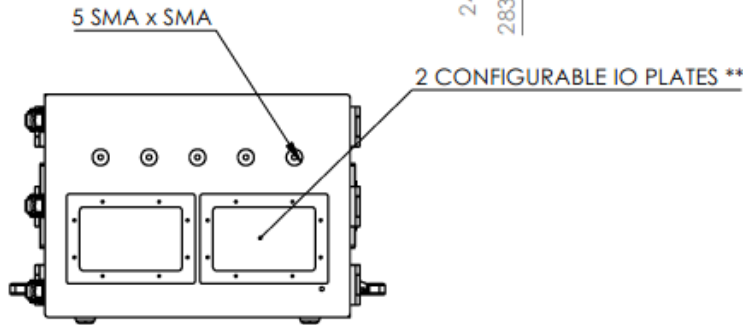
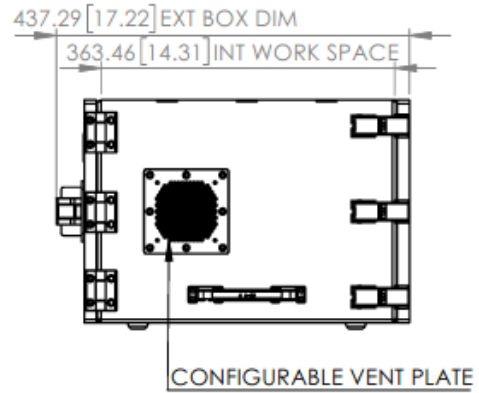
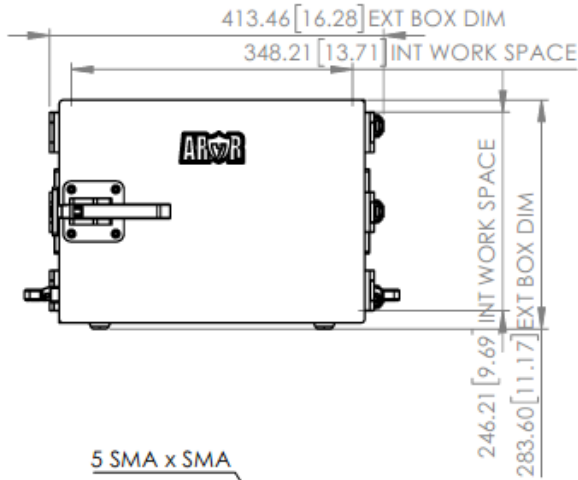
Dimensions	Width	Depth	Height
Internal Dimensions	348.21mm(13.71in)	363.46mm(14.31in)	246.21mm(9.69in)
External Dimensions	413.46mm(16.28in)	437.29mm(17.22in)	283.60mm(11.17in)
Weight	Approx 30 lbs		

Typical RF Shielding

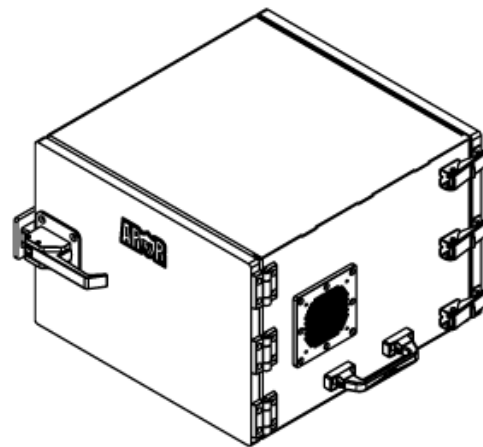
Range	Isolation
100 to 2000 MHz	> 70 dB
2000 to 3000 MHz	> 70 dB
3000 to 6000 MHz	> 70 dB

Ordering Information

Part Number	Item
F180000-00	80mm 36CFM Fan, with 120VAC to DC Adapter



6 x M4 INTERNAL MOUNTING POINTS



* Rack shelf is recommended for mounting
 **See list of available options
 Shelves, Fixture Mounting, Fans, as well as custom connectors are available through your sales representative
 mm(in) unless otherwise specified
 Drawing not to scale
 9/3/2021

AR1314-09