



AR1214-08



Key Features

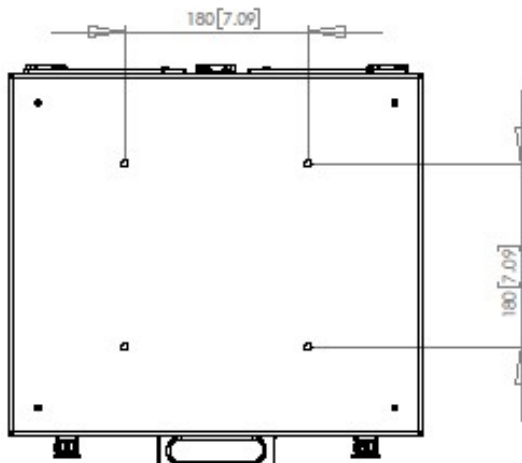
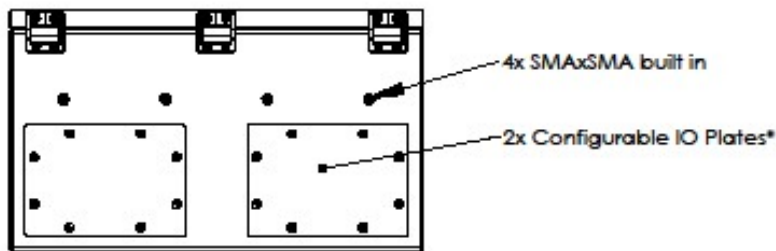
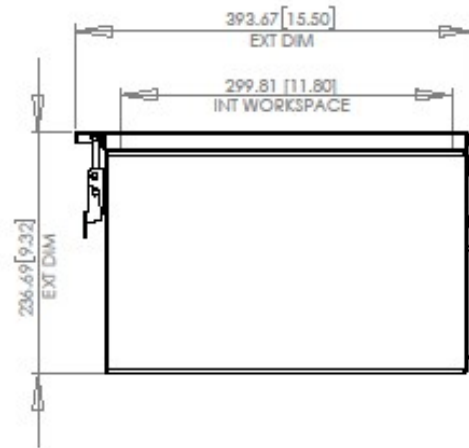
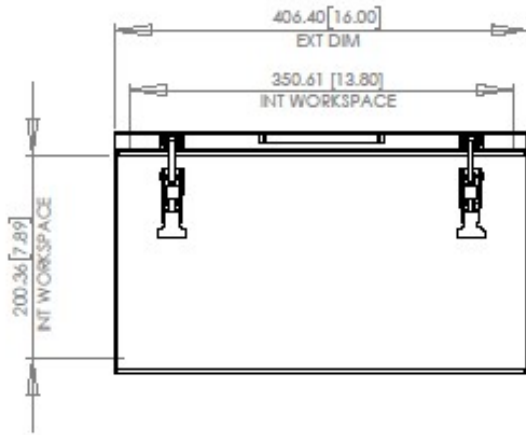
- Top Access Opening
- 2 Configurable IO panels
- Constant Position Hinges
- Manufactured Easy Open Handle
- Compact size for bench test
- High RF Shielding

Mechanical Specifications

Dimensions	Width	Depth	Height
Internal Dimensions	350.61mm(13.80in)	299.81mm(11.80in)	200.36mm(7.89in)
External Dimensions	406.40mm(16.00in)	393.67mm(15.50in)	236.69mm (9.32in)
Weight	Approx 12 lbs		

Typical RF Shielding

Range	Isolation
100 to 2000 MHz	> 70 dB
2000 to 3000 MHz	> 70 dB
3000 to 6000 MHz	> 60 dB



* See list of available options

Shelves, Fixture Mounting, Fans, as well as custom connectors and options are available through your sales representative.

mm (in) unless otherwise specified

Drawing not to scale
doc v2.0