



# AR1214-05



## Key Features

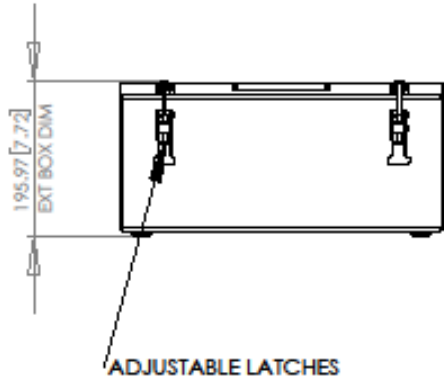
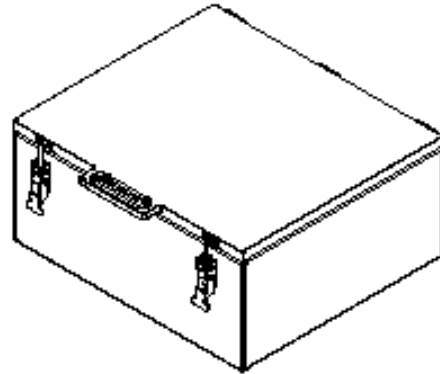
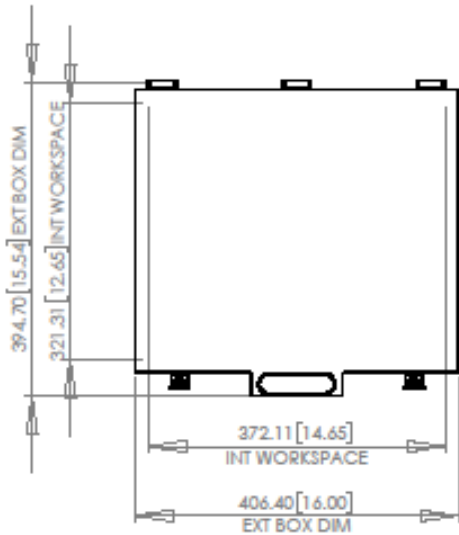
- Top Access Opening
- 2 Configurable IO panels
- Constant Position Hinges
- Manufactured Easy Open Handle
- Compact size for bench test
- High RF Shielding

## Mechanical Specifications

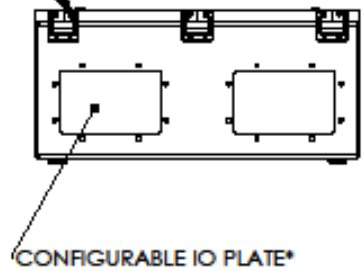
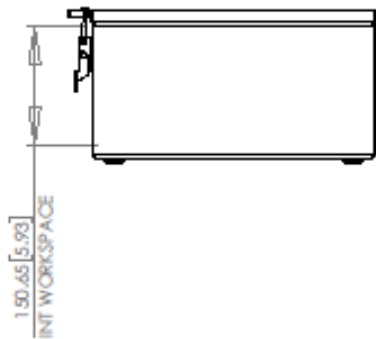
Dimensions	Width	Depth	Height
Internal Dimensions	372.11mm(14.65in)	321.31mm(12.65in)	150.63mm(5.93in)
External Dimensions	406.40mm(16.00in)	394.70mm(15.54in)	195.97mm (7.72in)
Weight	Approx 12 lbs		

## Typical RF Shielding

Range	Isolation
100 to 2000 MHz	> 70 dB
2000 to 3000 MHz	> 70 dB
3000 to 6000 MHz	> 60 dB



CONSTANT POSITION HINGE



\*See list of available options

Fixtures, Fans, as well as custom connectors and options available through your sales representative

mm(in) unless otherwise specified  
Drawing not to scale  
doc v1.1

# AR1214-05