



Concentric Technology Solutions Inc

Solutions for the Wireless Industry

TC-93039A

Flat Type Coupler

Data Sheet

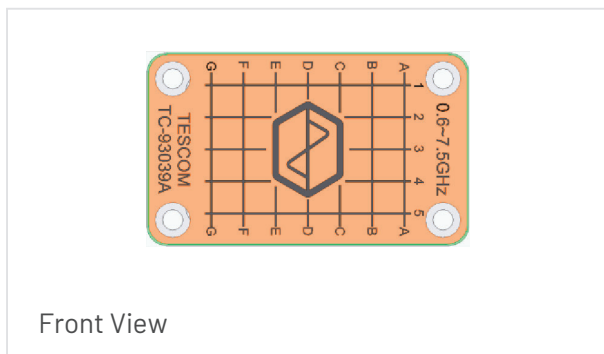


SPECIFICATIONS SUBJECT TO CHANGE WITHOUT PRIOR NOTICE

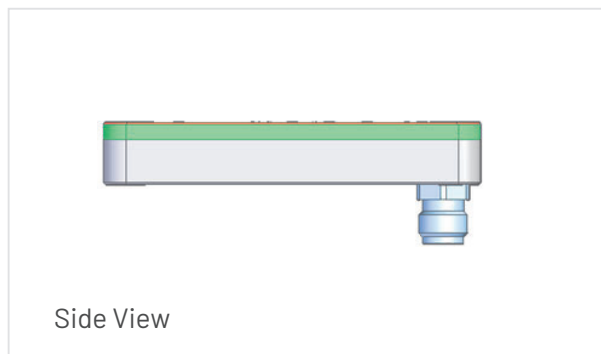
Concentric Technology Solutions, Inc.

TEL: 817-503-8862 FAX: 817-503-8866 Email: CTS-Sales@ctscorp-usa.com WWW.RFSHIELDBOX.COM

TC-93039A Flat Type Coupler



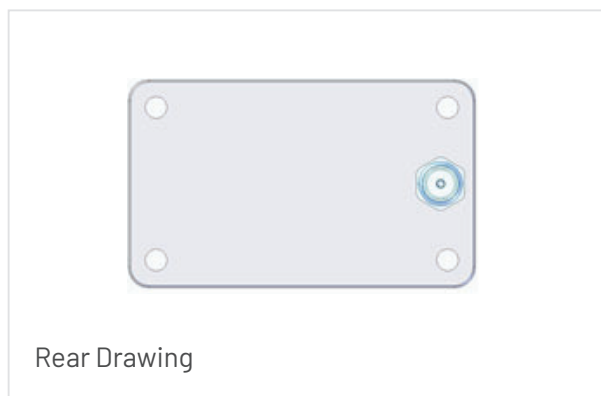
Front View



Side View



Front Drawing



Rear Drawing

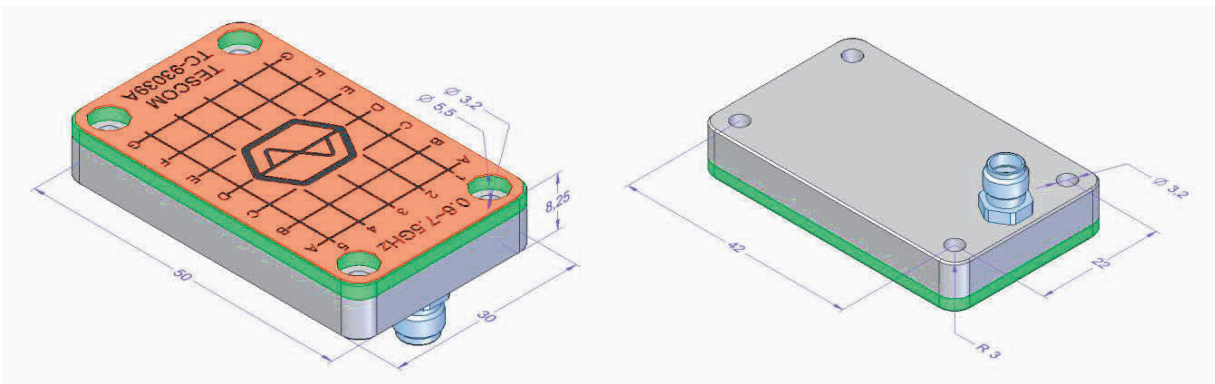
Mechanical Specifications

Frequency Range	600 - 7500 MHz
RF Connector	SMA(f)
Dimension	50 (W) x 30 (D) x 8.3 (H) mm, RF Connector excluded
Weight	20 g
Terminal	Open (* Eliminate 50 Ω Termination to improve Path loss)

TC-93039A Dimensions

50(W)x 30(D)x 8.3(H) mm, RF Connector excluded

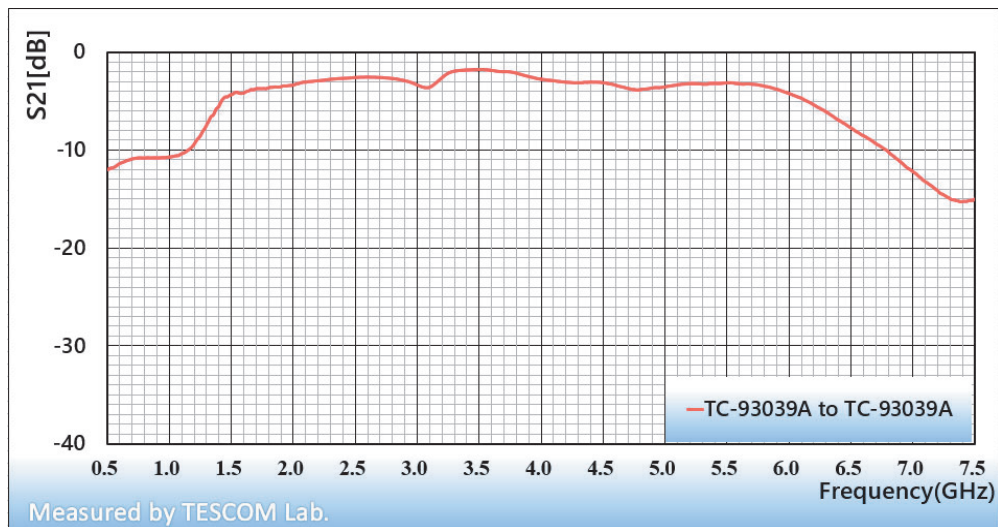
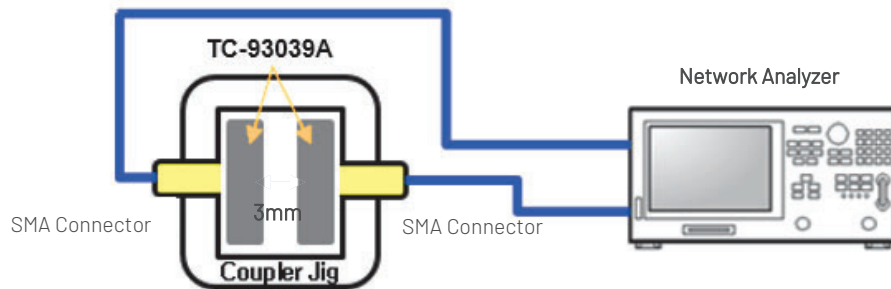
50(W)x 30(D)x 17(H) mm, RF Connector included



TC-93039A Path Loss Data

Measuring Path loss(S21) with the Network analyzer between 2 units of TC-93039A (Distance : 3.0 mm)

1 unit of TC-93039A for Reference, 1 unit of TC-93039A for Inspection.



Ordering Information

Order Number	Description
TC-93039A	Flat Type Coupler (Including accessories below) SMA(m)-SMA(m)R/A, 30 cm, 4011-0021

SPECIFICATIONS SUBJECT TO CHANGE WITHOUT PRIOR NOTICE