



Concentric Technology Solutions Inc

Testing Solutions for the Wireless Industry

TC-5922BU Shield Box



Features

- Reliable High RF Shielding from 0.1 GHz to 12 GHz
- Easy to Open & Close
- Absorbing materials for stable and repeatable measurement results
- EMI Filters on All Data Ports and Power Lines
- Customizable I/O Interface Panels
- Shock Absorber on the Lid



Specifications

RF Specifications

Frequency Range 0.1 GHz to 12 GHz

*** Shielding Effectiveness (Typical.)**

0.1 GHz to 3 GHz > 70 dB

3 GHz to 6 GHz > 60 dB

6 GHz to 12 GHz > 60 dB

* The shielding effectiveness is measured with blank panels mounted; other I/O interface panel may result in different shielding effectiveness.

Mechanical Specifications

Basic RF Connector Two(2) N (f) outside and SMA (f) inside

Dimensions

Inside 296(W) x 435(D) x 238(H) mm

Outside 378(W) x 577(D) x 289(H) mm, lid closed. 600(H) mm, lid open.

Weight Approx. 22 kg

***Packing**

Size 560(W) x 820(D) x 470(H) mm

Weight Approx. 28 kg

* The size or weight of the package may vary depending on how the product is packed.

Absorber Reflectivity

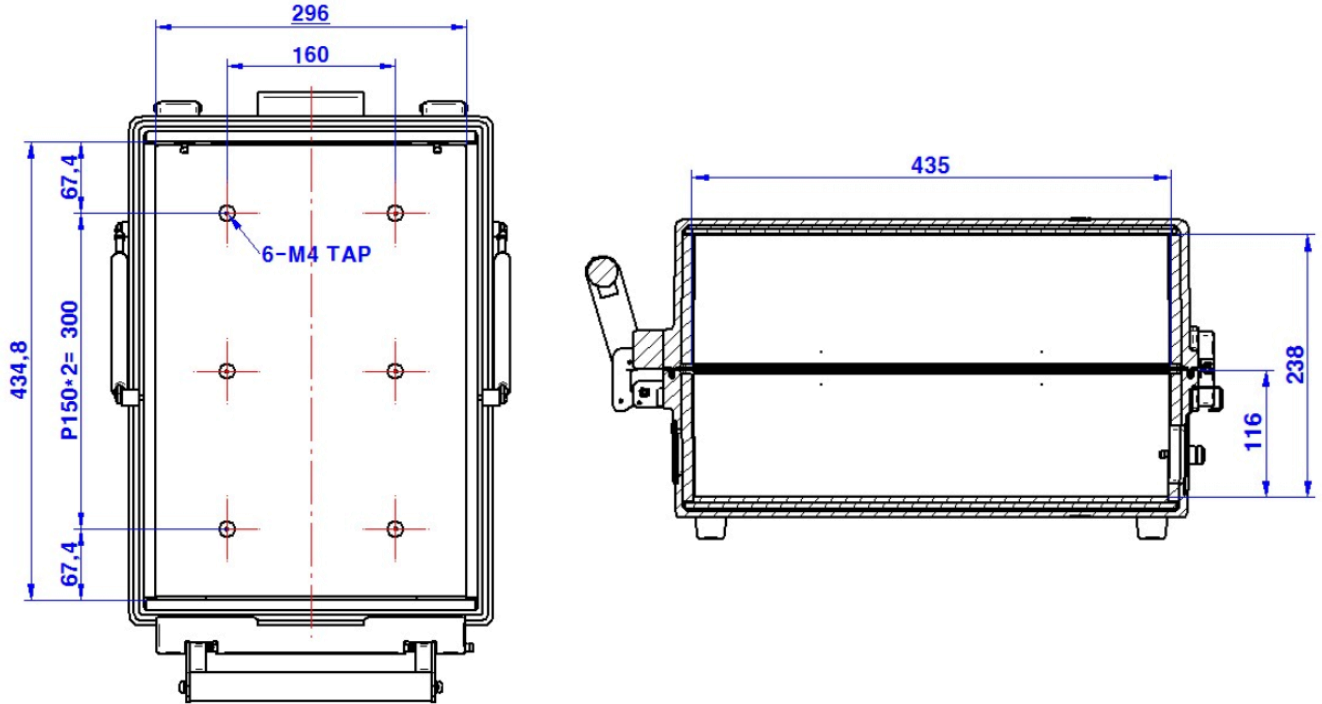
Referring to a metal plate (0 dB @ 0.5 GHz to 12 GHz), signal reduction is measured with the RF absorber inserted.

Frequency Range	Reflectivity (Typical.) [dB]
0.5 GHz to 3 GHz	3 dB
3 GHz to 6 GHz	6 dB
6 GHz to 12 GHz	10 dB

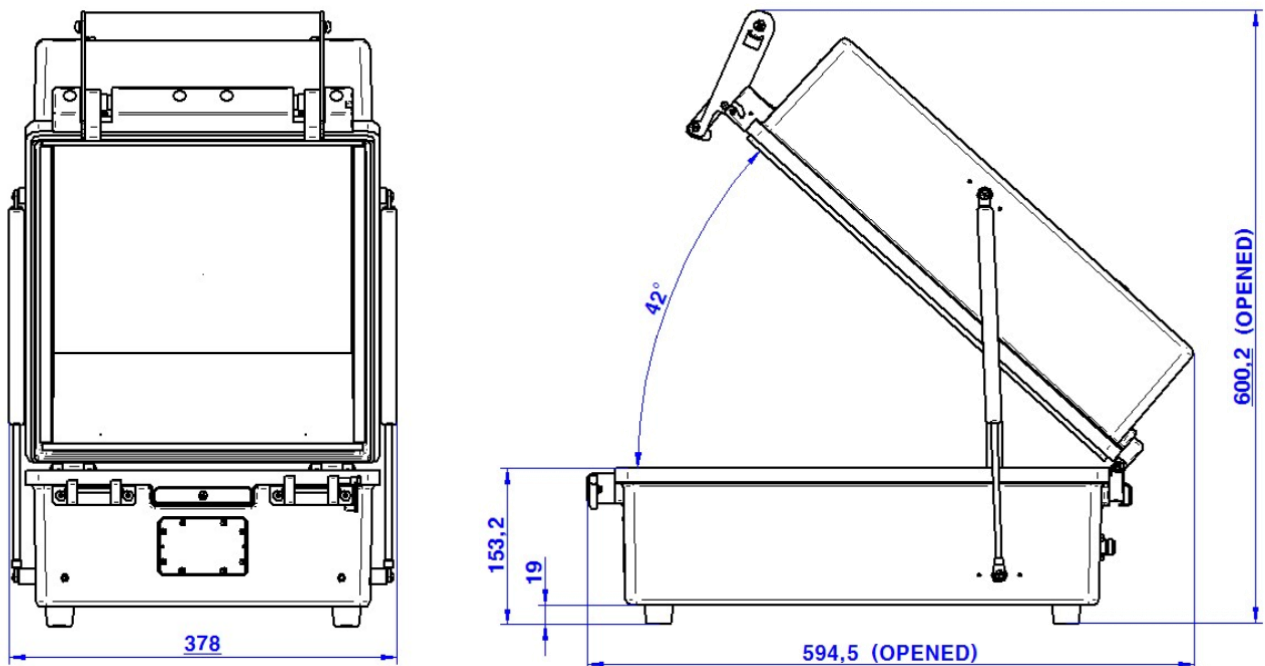


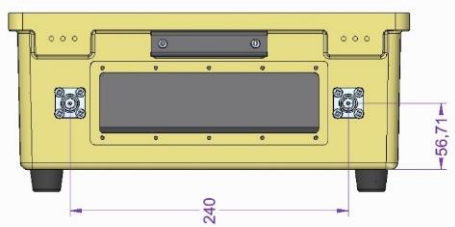
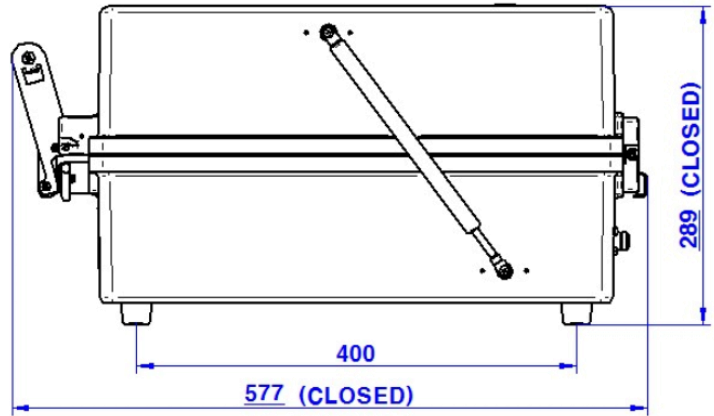
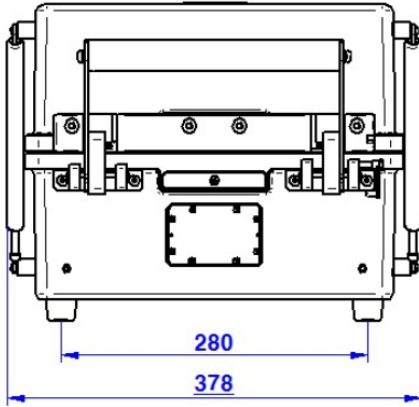
Dimensions

- TC-5922BU Inner Dimensions (WxDxH) : 296(W) x 435(D) x 238(H) mm



- TC-5922BU Outer Dimensions (WxDxH) : 378(W) x 577(D) x 289(H) mm, lid closed.
600(H) mm, lid open.








Ordering Information

Order Number	Description
	Shield Box (including accessories below)
TC-5922BU	Test Report



Optional I/O Interface Panel

■ Pre-Configured I/O Interface Panel

I/O Interface Panel	Order Number	Configuration
	TBD	Blank Panel

Optional Antenna Coupler Fixture



- CTS offers standard grid fixtures that can change the position of DUT holding blocks. An optimal fit for different shapes of DUT can be made within seconds. Also, fully customized fixtures can be manufactured and supplied if necessary to meet the customer's requirements.
- In addition to the fixture, various types of antenna coupler are available which can be configured to make an ideal measuring environment to meet the characteristics of each DUT.

Antenna Coupler	Order Number	Configuration
 	Grid Fixture (TBD) TC-93160A	Antenna Coupler fixed grid fixture <ul style="list-style-type: none"> • Antenna Coupler(Optional): TC-93160A <ul style="list-style-type: none"> - Frequency range: 6 GHz ~ 12 GHz - RF connector type: SMA female • RF Cable(Optional): 4011-0123 <ul style="list-style-type: none"> - Frequency range: DC to 18 GHz - SS-405, SMA(M) R/A -SMA(M) R/A, 80 cm



■ Custom RF Connector Panel






- Custom RF Connector Panels are available by selecting or combining the RF Connectors below.

RF Connector	Description / Order Number	Frequency Range / Impedance / V.S.W.R
	RF, N-SMA BH Connector / 3408-0100	From DC to 18 GHz / 50 Ω / 1.3 max
	RF, SMA-SMA 4H Connector / 3408-0097	From DC to 18 GHz / 50 Ω / 1.3 max

■ Custom I/O Interface Panel

- Customized I/O Interface Panel is available by selecting the I/O interfaces and combine below.

Please contact CTS sales team.

I/O Interface	Description / Order Number	Typical Data Rate / Line Voltage	Typical Shielding ^(*)
	USB 2.0 Filter / 3409-0018A-3 ^(a)	480 Mbps / 5 V, 500 mA / Max Current: 5 A	>60 dB from 0.5 to 2 GHz >70 dB from 2 to 3 GHz >70 dB from 3 to 6 GHz >70 dB from 6 to 12 GHz
	USB 3.1 Gen 1 Filter (Active) / 3409-0042A-2 ^(a)	5000 Mbps / 5 V, 600 mA / Max Current: 1.5 A	>80 dB from 0.5 to 2 GHz >80 dB from 2 to 3 GHz >75 dB from 3 to 6 GHz >55 dB from 6 to 12 GHz
	RJ-45 Filter / 3904-0296A	RJ45 Filter: 1 Gbit/s Copper Line Ethernet (1000 BASE-T)	>60 dB from 0.5 to 2 GHz >70 dB from 2 to 3 GHz >70 dB from 3 to 6 GHz >60 dB from 6 to 12 GHz
	DC Power Adaptor / 3406-0004A	50 VDC, 3 Amps max	>70 dB from 0.5 to 2 GHz >80 dB from 2 to 3 GHz >80 dB from 3 to 6 GHz >70 dB from 6 to 12 GHz
	DC Power Adaptor (Banana Jack Type) 3406-0005A-1 (Black) 3406-0006A-1 (White)	50 VAC, 10 Amps max	>70 dB from 0.5 to 2 GHz >80 dB from 2 to 3 GHz >80 dB from 3 to 6 GHz >70 dB from 6 to 12 GHz
	AC Power Adaptor / 3103-0009A	250 VAC, 7 Amps max	>70 dB from 0.5 to 2 GHz >80 dB from 2 to 3 GHz >80 dB from 3 to 6 GHz >70 dB from 6 to 12 GHz



- ^(a) : Exclusive cables should be used.
(USB Cable, 4008-0079A, 2 M, USB 3.0 A(M) - USB 3.0 A(M), Housing: Aluminum)
- ***Typical Shielding** is an estimated value with I/O interface installed.
- The data above was measured by our standards, and they may be different depending on the measuring method and environment.
- Each shielding effectiveness is measured without any cable, so it will be likely affected when a cable is connected. Also, it may vary depending on the type of cable.

SPECIFICATIONS SUBJECT TO CHANGE WITHOUT PRIOR NOTICE