

# **U.FL (MHF) test probe for small pitch (4 - 5mm)**

## **PRODUCT**

## **SPECIFICATION**



## Electrical Data

- A. Frequency Range ---- DC-6GHz
- B. Impedance---- 50 Ohms
- C. VSWR---- < 1.2
- D. Insertion loss ----- 0.5 dB max (DC -6GHz)
- E. Dielectric withstanding voltage ---- 500 Vrms
- F. Insulation resistance ---- 1000 Mega-Ohms
- G. Center contact resistance ---- 10.0 mini-Ohms
- H. Outer contact resistance---- 6.0 mini-Ohms

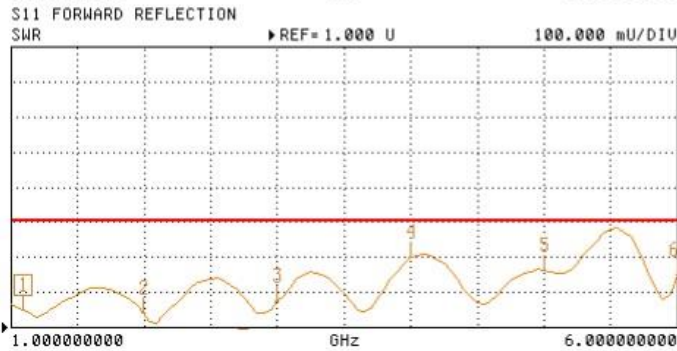
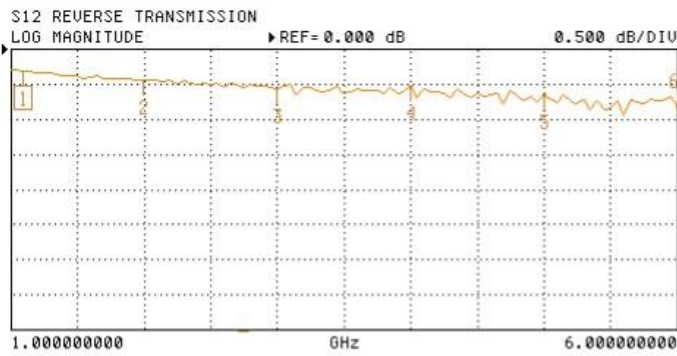
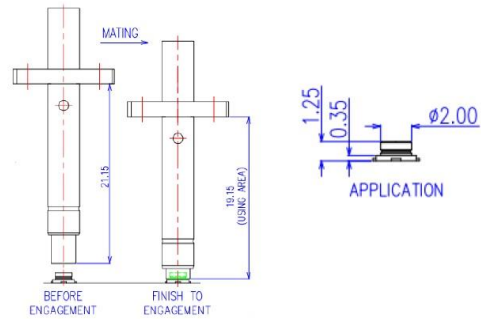
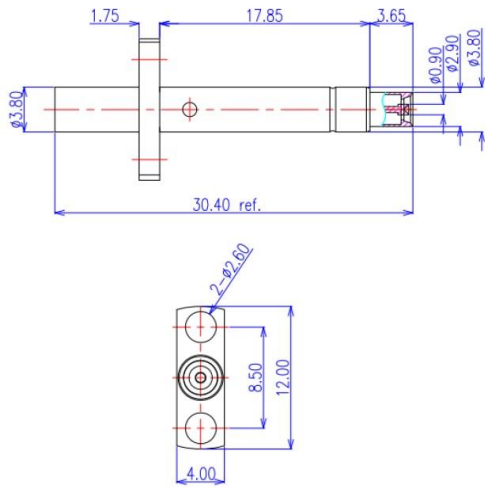


## Mechanical Data

- A. Coupling Method --- Threaded
- B. Durability (Mating / Unmating ) : 10000 cycles for RSWU.FL
- C. Durability (Mating / Unmating ) : 500 cycles for MMCX
- D. Temperature Range : 65° ~ 165°



# Dimension



CH 4 - S11  
0.0000 mm REF  
0.000 dB OFFSET  
0.00° OFFSET

MARKER 1  
1.100000000 GHz  
1.050 U

MARKER TO MAX  
MARKER TO MIN

2 2.000000000 GHz  
1.040 U

3 3.000000000 GHz  
1.073 U

4 4.000000000 GHz  
1.197 U

5 5.000000000 GHz  
1.162 U

6 6.000000000 GHz  
1.150 U

MARKER READOUT  
FUNCTIONS