



Concentric Technology Solutions Inc

Testing Solutions for the Wireless Industry

HS0304 U.FL (MHF) Coaxial test probe

PRODUCT

SPECIFICATION



Electrical Data

- A. Frequency Range ---- DC-6GHz
- B. Impedance---- 50 Ohms
- C. VSWR---- < 1.2
- D. Insertion loss ----- 0.5 dB max (DC -6GHz)
- E. Dielectric withstanding voltage ---- 500 Vrms
- F. Insulation resistance ---- 1000 Mega-Ohms
- G. Center contact resistance ---- 10.0 mini-Ohms
- H. Outer contact resistance---- 6.0 mini-Ohms

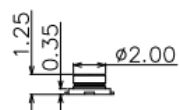
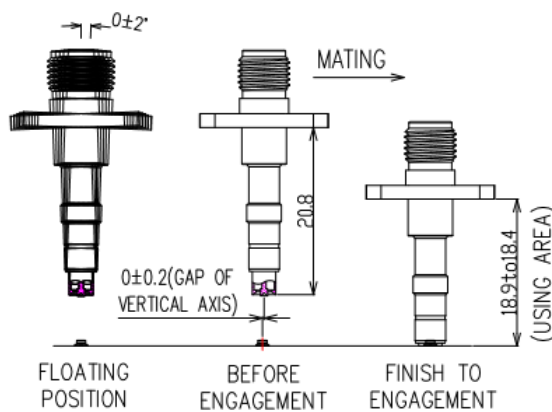
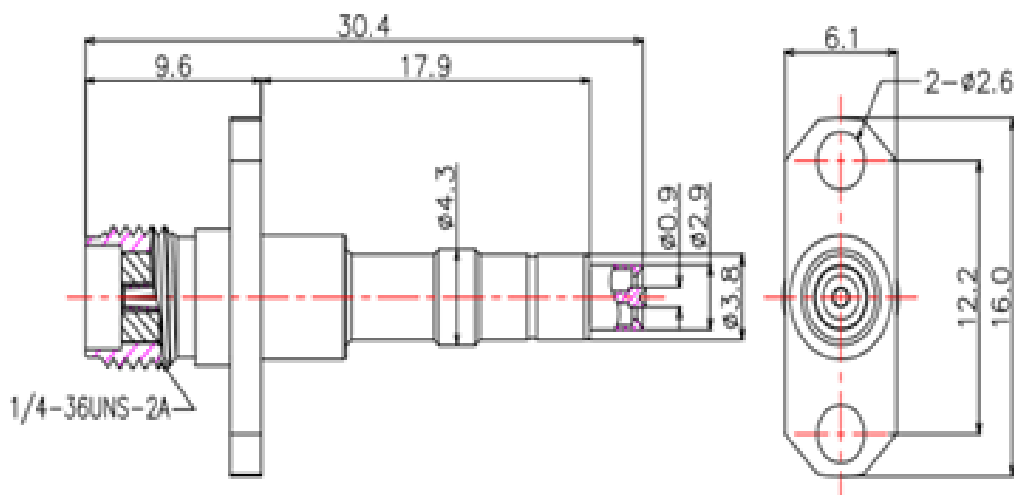


Mechanical Data

- A. Coupling Method --- Threaded
- B. Durability (Mating / Unmating) : 10000 cycles for RSWU.FL
- C. Temperature Range : 65° ~ 165°



Dimension



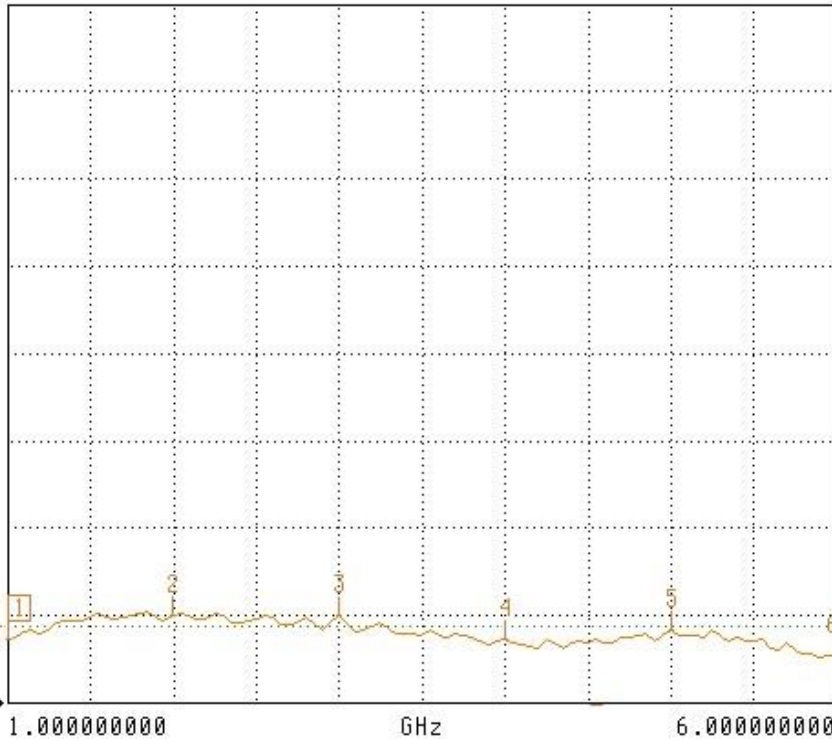
APPLICATION
THE VIEW 2:1

S11 FORWARD REFLECTION

SWR

REF=1.000 U

100.000 mU/DIV



CH 3 - S11
0.0000 mm REF
0.000 dB OFFSET
0.00° OFFSET

MARKER 1
1.000000000 GHz
1.072 U

MARKER TO MAX
MARKER TO MIN

2 2.000000000 GHz
1.099 U

3 3.000000000 GHz
1.100 U

4 4.000000000 GHz
1.073 U

5 5.000000000 GHz
1.083 U

6 6.000000000 GHz
1.053 U

MARKER READOUT
FUNCTIONS

