



Concentric Technology Solutions Inc

Testing Solutions for the Wireless Industry

TC-5916A Shield Box



Features

- High RF Shielding
- Easy Opening/Closing of lid
- EMI filters on all Data and DC lines
- Easily customizable to meet various test needs
- Shock absorber on lid

*SPECIFICATIONS SUBJECT TO CHANGE WITHOUT PRIOR NOTICE

Concentric Technology Solutions, Inc.

TEL: 817-503-8862 FAX: 817-503-8866

Email: CTS-Sales@ctscorp-usa.com

www.rfshieldbox.com

www.ctscorp-usa.com



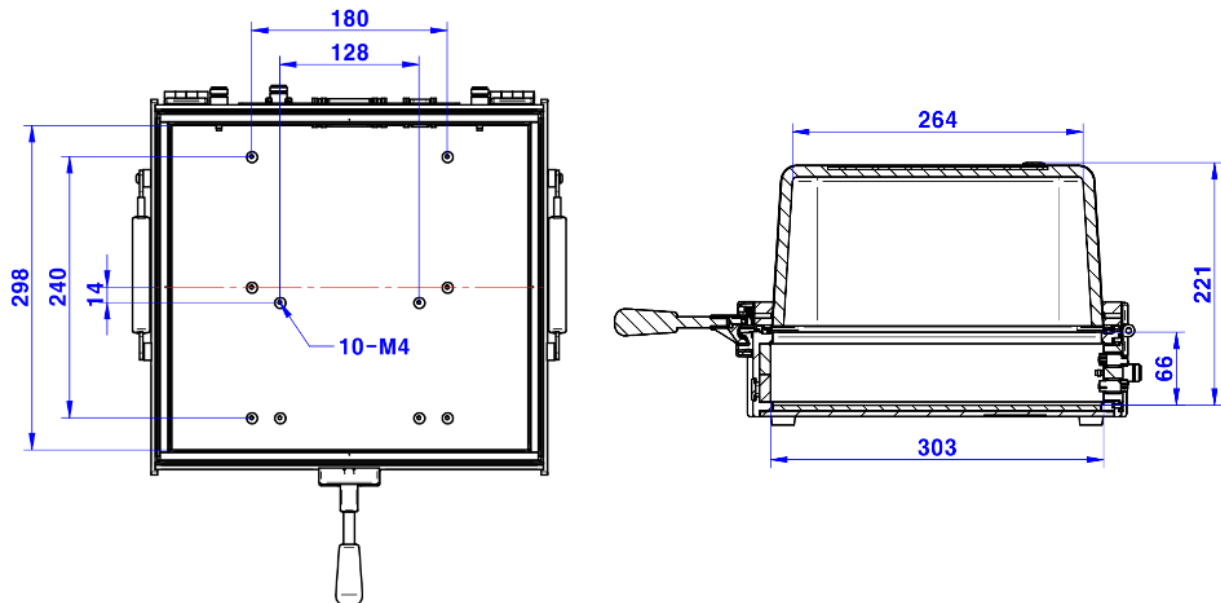
Specifications

Mechanical Specifications

RF Connectors without I/O interface panel	
	two(2) N(f) outside and SMA(f) inside
Dimension	
Inside	328(W) x 303(D) x 221(H) mm
Outside	399(W) x 473(D) x 239(H) mm, lid closed. 495(H) mm, lid open
Weight	
TC-5916A	approx. 10 kg
*Packing	
Size	460(W) x 528(D) x 335(H) mm
Weight	approx. 11 kg
*The size or weight of a package may vary on how to pack a package.	

Dimensions

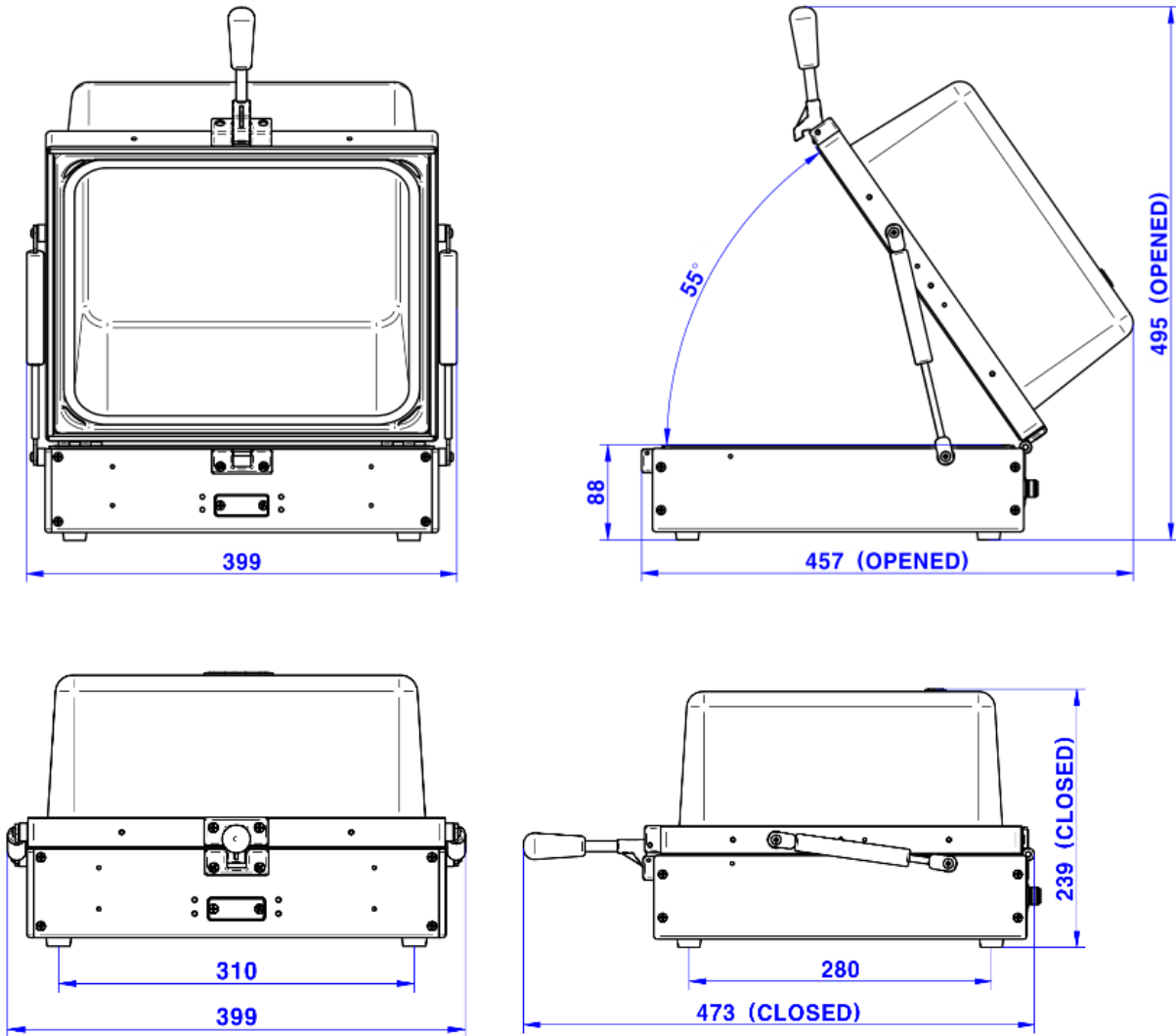
TC-5916A Inner Dimension



*SPECIFICATIONS SUBJECT TO CHANGE WITHOUT PRIOR NOTICE



TC-5916A Outer Dimension



Typical RF Shielding

- The shielding effectiveness below is measured when the blank panel is mounted; other I/O interface panel results a different shielding effectiveness of the shield box.

Frequency	Shielding effectiveness (dB)
100 to 2000 MHz	> 70 dB
2000 to 3000 MHz	> 70 dB
3000 to 6000 MHz	> 60 dB


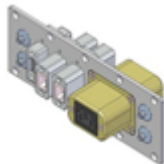

*SPECIFICATIONS SUBJECT TO CHANGE WITHOUT PRIOR NOTICE



Ordering Information

Order Number	Description
TC-5916A	Shield Box (including accessories below)
	Test Report
	RF Cable, RG-400S, N(m) to N(m) 1 m, 1 pc

Pre-Configured I/O Interface Panel

I/O Interface Panel	Order Number	Configuration
 Data Interface Panel	M591689A	<ul style="list-style-type: none"> • one(1) DB25(p) outside and DB25(s) inside, 100 pF Pi filter • one(1) DB9(p) outside and DB9(s) inside, 100 pF Pi filter • two(2) N(f) outside and SMA(f) inside • two(2) USB 2.0 outside and inside
 Data Interface Panel	M5916103A	<ul style="list-style-type: none"> • four(4) SMA(f) outside and SMA(f) inside • one(1) USB 2.0 outside and inside • two(2) RJ-45 outside and inside • one(1) AC power Adapter
 Data Interface Panel	M5916114A	<ul style="list-style-type: none"> • one(1) DB37(p) outside and DB37(s) inside, 1000 pF Pi filter • six(6) SMA(f) outside and SMA(f) inside • two(2) USB 3.0 outside and inside

*SPECIFICATIONS SUBJECT TO CHANGE WITHOUT PRIOR NOTICE







Custom I/O Interface Panel

- Customized I/O Interface panels are available. Please contact Tescom sales team or your local distributor.

I/O Interface	Order Number	Typical Data Rate / Line Voltage	*Typical Shielding
 DB37, 1000pF pi Filter	3409-0012-1	3 Mbps / 100 VDC, 5 Amps max	>70 dB from 0.5 to 2 GHz >80 dB from 2 to 3 GHz >70 dB from 3 to 6 GHz
 DB25, 1000pF pi Filter	3409-0009-1	3 Mbps / 100 VDC, 5 Amps max	>70 dB from 0.5 to 2 GHz >80 dB from 2 to 3 GHz >70 dB from 3 to 6 GHz
 DB25, 100pF pi Filter	3409-0014-1	10 Mbps / 100 VDC, 5 Amps max	>50 dB from 0.5 to 2 GHz >60 dB from 2 to 3 GHz >60 dB from 3 to 6 GHz
 DB9, 1000pF pi Filter	3409-0008-1	3 Mbps / 100 VDC, 5 Amps max	>70 dB from 0.5 to 2 GHz >80 dB from 2 to 3 GHz >70 dB from 3 to 6 GHz
 DB9, 100pF pi Filter	3409-0010-1	10 Mbps / 100 VDC, 5 Amps max	>50 dB from 0.5 to 2 GHz >60 dB from 2 to 3 GHz >60 dB from 3 to 6 GHz
 USB 2.0 Filter	3409-0018A-3	480 Mbps / 5 V, 500 mA / Max Current: 5A	>60 dB from 0.5 to 2 GHz >70 dB from 2 to 3 GHz >70 dB from 3 to 6 GHz
 USB 3.0 Filter(Active)	3409-0042A-1	5000 Mbps / 5 V, 900 mA / Max Current: 1.5 A	>70 dB from 0.5 to 2 GHz >70 dB from 2 to 3 GHz >55 dB from 3 to 6 GHz
 RJ-45 Filter	3409-0022A	1 Gbit/s Copper-Line Ethernet (1000 BASE-T)	>60 dB from 0.5 to 2 GHz >70 dB from 2 to 3 GHz >70 dB from 3 to 6 GHz
 DC Power Adaptor,	3406-0004A	50 VDC, 3 Amps max	>70 dB from 0.5 to 2 GHz >80 dB from 2 to 3 GHz >80 dB from 3 to 6 GHz


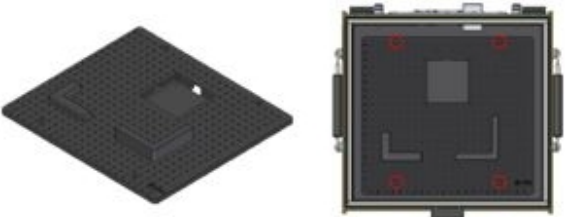
*SPECIFICATIONS SUBJECT TO CHANGE WITHOUT PRIOR NOTICE



I/O Interface	Order Number	Typical Data Rate / Line Voltage	*Typical Shielding
 DC Power Adaptor, Banana Jack Type	3406-0005A 3406-0006A	50 VDC, 10 Amps max	>70 dB from 0.5 to 2 GHz >80 dB from 2 to 3 GHz >80 dB from 3 to 6 GHz
 AC Power Adaptor	3103-0009A	250 VAC, 7 Amps max	>70 dB from 0.5 to 2 GHz >80 dB from 2 to 3 GHz >80 dB from 3 to 6 GHz
 RF, N-SMA Connector	3408-0038		>60 dB from 0.5 to 2 GHz >70 dB from 2 to 3 GHz >70 dB from 3 to 6 GHz
 RF, SMA-SMA Connector	3408-0039		>60 dB from 0.5 to 2 GHz >70 dB from 2 to 3 GHz >70 dB from 3 to 6 GHz

- Each shielding effectiveness is measured when each I/O interface panel, which is shown above, is mounted.
- Above data was measured by Tescom, The Shielding Effectiveness might be different based on the measuring method and condition.
- This data has been measured under the condition that the cables are not connected to each filters. When the cables are connected it can affect the shielding performance.

Fixture

Fixture	Order Number	Description
	F59161A	<ul style="list-style-type: none"> • 310(W) x 260(D) x 52(H) mm • Antenna Coupler <ul style="list-style-type: none"> ○ TC-93023B, TC-93026A
	F59165A F59165B	<ul style="list-style-type: none"> • 300(W) x 270(D) x 22(H) mm • Antenna Coupler <ul style="list-style-type: none"> ○ F59165A: TC-93023B, TC-93026A ○ F59165B: TC-93021B

*SPECIFICATIONS SUBJECT TO CHANGE WITHOUT PRIOR NOTICE

