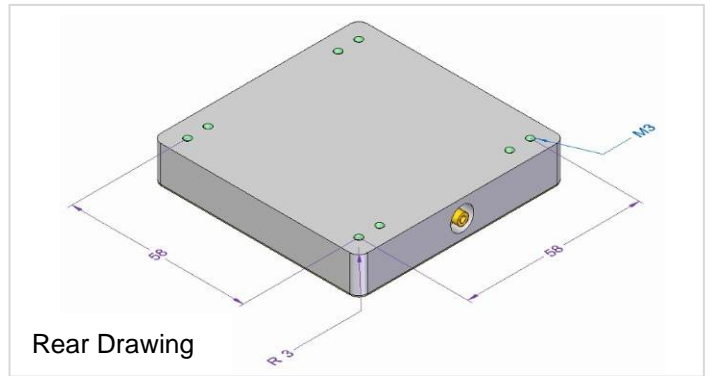
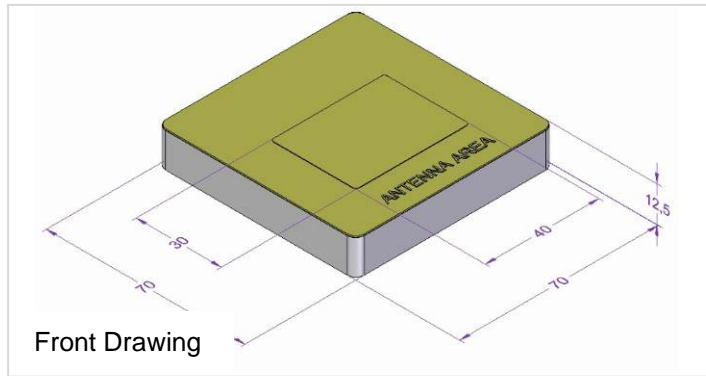


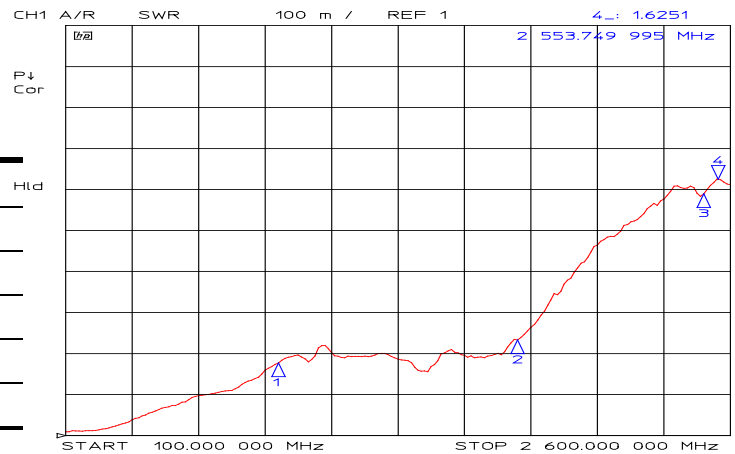


TC-93021A Flat Type Antenna Coupler



Specification

Frequency Range	80 ~ 2650 MHz
RF Connector	SMB(f)
Dimension	70(W) x 70(D) x 12(H) mm
Weight	80 g
Terminal	50 ohm
VSWR	better than 1 : 1.7



Typical VSWR of TC-93021A

Ordering Information

Order Number	Description
TC-93021A	Flat Type Antenna Coupler (including accessories below)
	SMA(m)R/A - SMB(m)R/A 30 cm - 4005-0021

*SPECIFICATIONS SUBJECT TO CHANGE WITHOUT PRIOR NOTICE