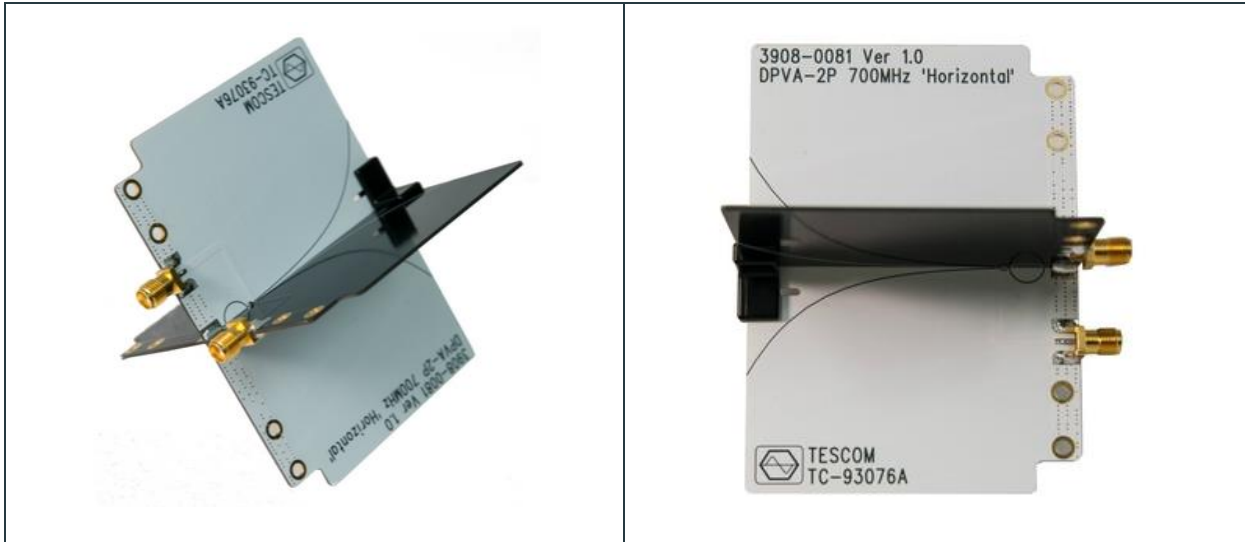




Concentric Technology Solutions Inc

Testing Solutions for the Wireless Industry

## TC-93076A Dual Polarized Vivaldi Antenna



### Specifications

Frequency Range	700 ~ 6000 MHz
RF Connector	SMA(f)
Dimension	72(W) x 100(D) x 1(H) mm (for Each)
Terminal	50 ohm
VSWR	< 3.2 @ 700 MHz ~ 6000 MHz
Antenna Type	DPVA (Dual Polarized Vivaldi Antenna)

\*SPECIFICATIONS SUBJECT TO CHANGE WITHOUT PRIOR NOTICE

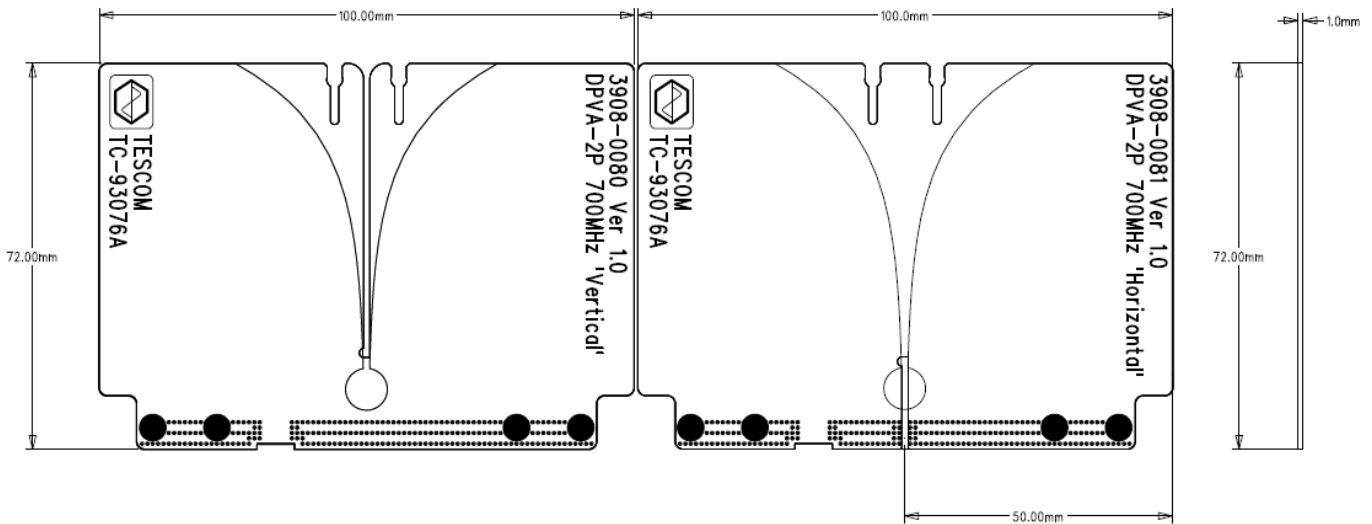
Concentric Technology Solutions, Inc.

TEL: 817-503-8862 FAX: 817-503-8866 Email: CTS-Sales@ctscorp-usa.com www.rfshieldbox.com www.ctscorp-usa.com

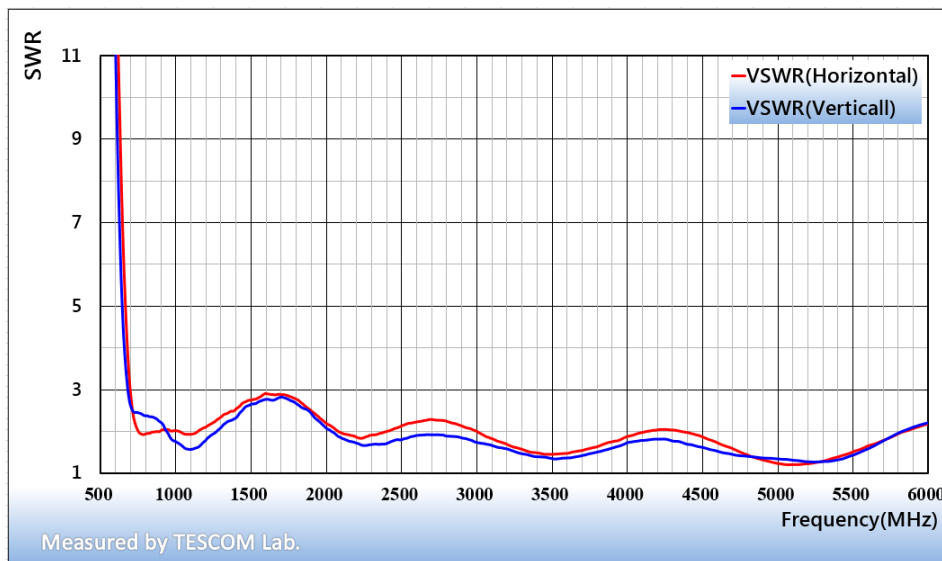


# Dimensions

- 72(W) x 100(D) x 1(H) mm (for Each) [Unit : mm]



## VSWR Data



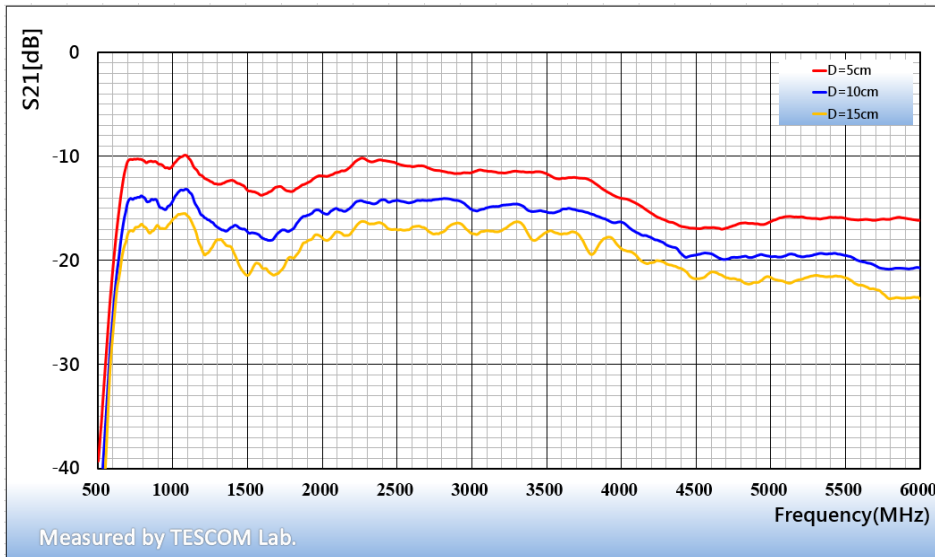
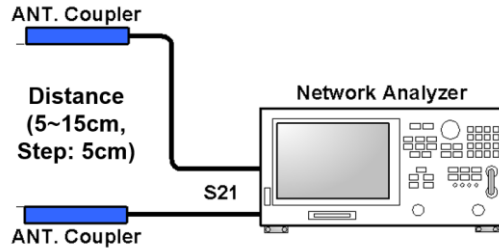
Graph1. TC-93076A VSWR

\*SPECIFICATIONS SUBJECT TO CHANGE WITHOUT PRIOR NOTICE

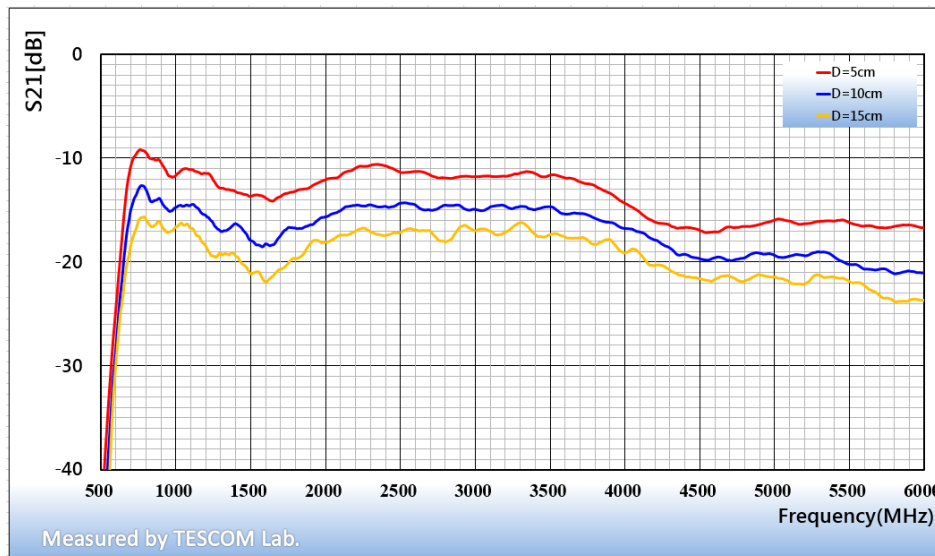


### TC-93076A Path Loss

- Measuring Path loss(S21) with the Network analyzer between 2 units of TC-93076A  
(Distance: 5 ~ 15 cm)
- 1 unit of TC-93076A for Reference, 1 unit of TC-93076A for Inspection.



**Graph2. TC-93076A Path-Loss(Horizontal)**



**Graph3. TC-93076A Path-Loss(Vertical)**

\*SPECIFICATIONS SUBJECT TO CHANGE WITHOUT PRIOR NOTICE



## Ordering Information

Order Number	Description
TC-93076A	<b>DPV Antenna</b> RF cables are sold Separately

\*SPECIFICATIONS SUBJECT TO CHANGE WITHOUT PRIOR NOTICE